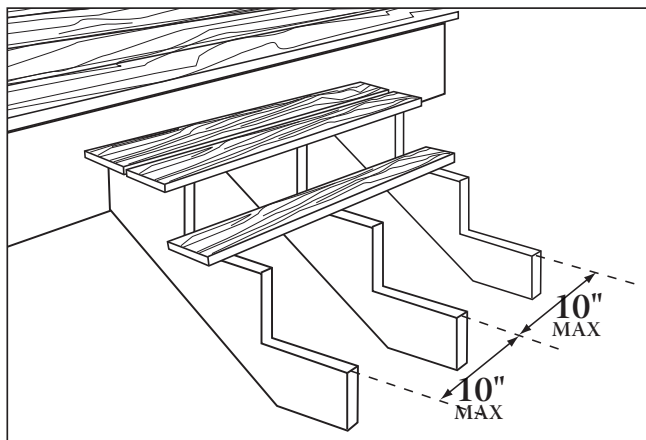


EXPANSION & CONTRACTION

WeatherReady™ Decking, when installed with 2 screws per joist or the Tiger Claw TC G hidden fastener, will have minimal expansion and contraction. There will be no side-to-side movement and only a slight end-to-end change.

- It is essential to fasten the boards as soon after cutting as possible
- If unfastened boards are exposed to heat they could experience some minor contraction
- Boards must be fastened with two screws no more than ¾ inches from the ends
- When using hidden fasteners you must have 2 fasteners at the end of each board

If fastening the boards within ¾ inches from the end is not possible consider using PVC glue.

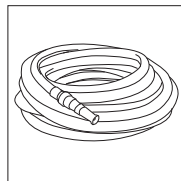


STAIR TREADS

- Install the deck boards no more than 10 inches on center
- Use stainless steel screws # 8, 2 ¼ inches long
- Do not use hidden fasteners on stair installations
- Overhang should not exceed ½ inch

CARE & CLEANING

Congratulations on your purchase of a Gossen deck! Our long history of manufacturing quality cellular PVC has led us to produce one of the most innovative alternative deck boards on the market. It offers the beauty of an exotic hardwood with the weatherability required for all seasons and all climates. Care for it the way you would your indoor flooring—except you don't have to worry about sanding, staining, sealing, waxing or buffing. Gossen decking is luxury and low-maintenance all wrapped into one beautiful board.



Mild soap, such as Simple Green®, and a garden hose will clean up the deck in most cases. If a stain proves particularly stubborn, use **Krud Kutter®** and a **soft cotton cloth** or a diluted chlorine bleach solution (about 4:1 water to bleach). **Avoid use of abrasive scrubbers.** A soft-bristled brush can be effective.

Minor surface scratches on the deck boards can be removed by using **Soft Scrub with Bleach®** (green label). Put a small amount of Soft Scrub® on a **non-abrasive** cotton cloth and **gently** rub it on the scratched surface. It will not remove gouges, but it will help with minor scratches. Be sure to rinse the deck boards with water after using any cleaner.

There should be no need to pressure-wash the deck. If you choose to do so, be sure to use a fan-tip and keep the spray at least **10 inches** above the deck, and **do not exceed 1200 psi.**

Placing black rubber mats on the deck can discolor the deck surface. If this occurs, heating the area with a heat gun should restore the surface appearance. Keep the gun **8 inches** above the deck surface and use a **continuous movement.** Be sure not to scorch the deck surface.

For snow and ice removal, you can use all available products containing calcium chloride without damaging the deck boards. Be cautious when using rock salt; it can cause minor scratching. If you are physically removing snow or ice, use a **plastic shovel.**

Exposing the deck surface to sunscreens that contain **Benzyl alcohol** or bug sprays that contain **Deet** can damage the boards. If you spill these substances on the deck clean it off immediately.

Never use paint removing solvents such as Goof Off®, because they will permanently damage the deck surface.

Gossen®

For more ideas, visit our website: www.GetWeatherReady.com

Customer Support: 800-558-8984 • Main Office: 414-228-9800 • Fax: 414-228-0342
©2009 Gossen Corporation 2030 West Bender Road • Milwaukee, WI 53209 All Rights Reserved

Gossen®

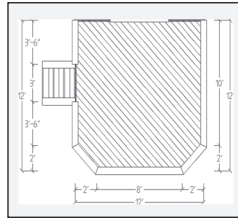
WeatherReady® Products for outdoor living



Decking
INSTALLATION GUIDE

BEFORE YOU BEGIN

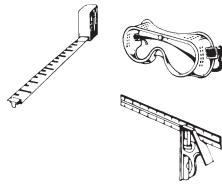
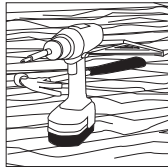
Building with WeatherReady™ Decking is virtually the same as building a wooden deck. In fact, most people find it easier and less labor intensive. As with all decks, careful planning yields the best results. Each deck design is different, and while we cannot anticipate every possible situation, these instructions reflect “best” practices for a basic installation.



Be sure to consult and follow all local building codes and regulations. If you are unsure, please consult a local architect, engineer or builder. The deck builder is solely responsible for all code compliance. To avoid code issues, consider having a **licensed contractor** install your deck.

TOOLS NEEDED

- Circular saw using a carbide-tipped blade with 60 teeth. For best results, use triple-chip stylet
- Screw gun (either cordless or corded). You can also use a self-feeding screw system
- Miter-box
- Tape measure
- Carpenters square
- Blue chalk line – red chalk lines will stain boards' surface
- Safety glasses



Fasteners

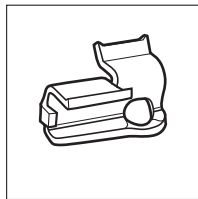
With a quality WeatherReady™ deck, you should always use stainless steel fasteners.

- Use a # 8 screw a minimum of 2¼ inches long
- Above 5,000 feet, use a # 8 screw 2 ¾ inches long
- Flat or trim head fasteners are an excellent choice
- There is never a need to pre-drill, screws will not mushroom
- **Do not use composite deck screws**

Screws with colored heads matching the deck boards are available from your local lumberyard.

Hidden Fastener

WeatherReady™ Deck is available with an optional factory grooved edge designed for hidden fasteners. This choice provides the most attractive and one of the easiest installations. *You can use any hidden fastener available; however Gossen only recommends one brand—Tiger Claw.*

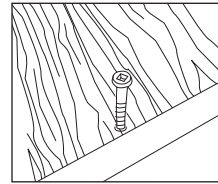


- Tiger Claw® model TC G stainless steel fastener
- Other hidden fasteners may allow excessive board movement

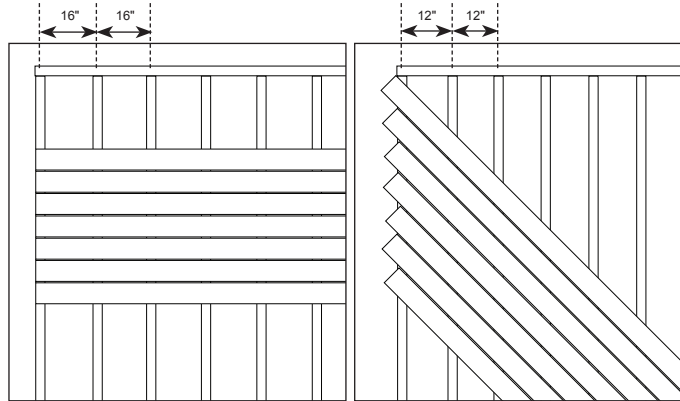
Follow the Tiger Claw® TC G installation instructions included in their packaging or refer to their website at www.deckfasteners.com for complete information. Use of the Tiger Claw installation gun can greatly decrease the installation time. When using the gun set the air-pressure between **90 and 100 pounds**. Do not use the installation gun in temperatures less than **32 degrees**.

MATERIAL REQUIREMENTS

After designing your deck, calculate the square footage. If your deck is a rectangle, square footage (area) equals width times length. If you are using 12-foot boards, divide the square footage by 5.5; for 16-foot boards divide by 7.3 and for 20-foot boards, use 9.2. These calculations give you the number of boards you will need. Be sure to always round up and add a little more for scrap. And always **measure twice—cut once**.



For example: 20 foot x 20 foot deck = 400 sq. ft. divided by 5.5 (if using 12' boards) = 72.7 boards. Round up and add for scrap and you are all set.



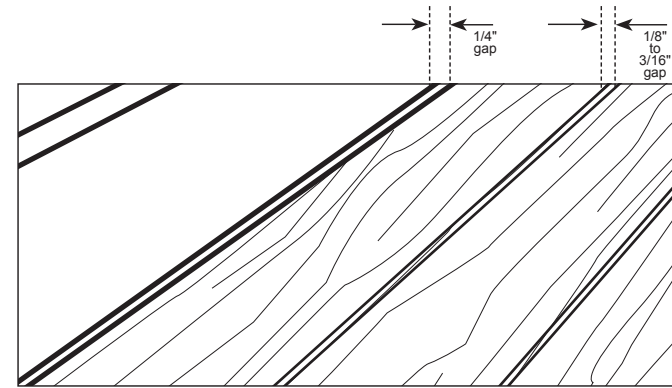
JOIST SUBSTRUCTURE

Gossen WeatherReady™ Decking is not designed for structural framing of the deck or for railing supports. Follow local codes and best building practices for your deck framing construction. Joists should be 2 inches x 8 inches or larger and joist spacing should not exceed 16 inches center-to-center for residential projects. Joists must be level and properly blocked.

Cellular PVC deck boards are more flexible than treated wood or composite boards. **For greater rigidity when using hidden fasteners consider 12 inch joist spacing.**

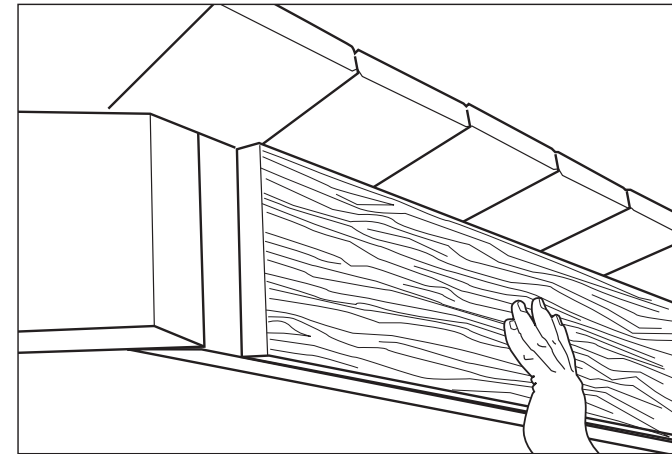
Use 12 inch on center spacing for commercial installations or 45 degree herringbone patterns. Be sure to allow for proper drainage (1/16 inch slope per foot away from the house) as well as ventilation under the deck. Again, your local codes will help you determine your specific requirements. Installation of enclosed water shed systems under the deck must be properly vented.

If you are installing heavy loads on the deck such as hot tubs, consult with the manufacturer's requirements for any special support needs.



BOARD SPACING REQUIREMENTS

- Side-to-side gap of ¼ to ⅜ inches between boards will allow for proper drainage
- Allow a ¼ inch gap between the boards and any solid structure (wall or post)
- Two-inch minimum spacing below the boards is required for proper venting



RIMBOARD WITH CLEANEDGE™ (FASCIA)

Designed to cover rim joist, each board is smooth on one side and textured on the other allowing for greater flexibility in design choice. Pick the look you like best.

- ⅝ inch thick, 12 feet long and 7¼, or 11 ¼ inches wide
- Use 2 screws every 16 inches for the 7 ¼ inch wide boards
- Use 3 screws every 16 inches for 11¼ inch wide boards
- Fasten top and bottom of the board within ¾ inches of the edge.