



GeoDeck®



Decking  
designed to  
make you  
look good

# GeoDeck Pleases the Most Important Critics

## **Homeowners and lumber professionals are raving about GeoDeck**

"A Best Buy!"

— The leading consumer research publication

"Last March, a customer wanted to build a deck using GeoDeck. A year later and 47 GeoDecks later, boy am I happy to have met that customer. GeoDeck is by far the BEST maintenance-free product on the market. It's strength, durability, and hidden-fastener system [with the Tongue & Groove board], set GeoDeck far ahead of all other decks we build. No callbacks for punchwork, but we do get a lot of calls from customers who have seen the GeoDecks we build. Thanks again for helping our business grow..."

— Mike Jerminski, Get Decked

"This is the very best decking system I have ever seen. I put down the deck in about 8 hours. I spent more time removing the old wooden deck! I will recommend this system to all of my friends. My yard is now a showcase. Thank you for a superior decking system."

— Ron Williams, Oregon

"I have been in the retail lumber business for over 27 years and was familiar with about every type of decking available, but was waiting and looking for the right one. The GeoDeck Tongue & Groove was a perfect fit. I would recommend GeoDeck because of its appearance, ease of working, no maintenance, and durability."

— Mike Lemons, Indiana

"I did a great deal of research and settled on GeoDeck. For my money, I would never put a traditional wood deck on my home again when there is a product like this available."

— Dave Ziemer, New Jersey

"We had our GeoDeck installed last winter and it is beautiful. We looked at all types of decking and GeoDeck had the best appearance and price for what we wanted. This year, we plan on redoing our front deck with GeoDeck. Everyone loves our new deck!"

— Terry Page, Arizona

"In addition to GeoDeck's structural superiority, the Tongue & Groove design of the product allows for hidden fasteners. No more stubbing your toe on a lifted nail or screw head. GeoDeck is also more fade resistant than other composite materials. Choosing GeoDeck was an easy decision."

— Ed Mangold, HomeCheck Construction



GeoDeck®



## Build It with GeoDeck

GeoDeck® is a state-of-the-art decking and railing system that consists of everything necessary to create the deck of your dreams.

GeoDeck is perfect for building decks, porches, patios, pool and hot tub surrounds, walkways, docks, and boat slips. Whatever application you can imagine, there's a good chance it can be built with GeoDeck.

It's easy to install and requires very little maintenance. Best of all, GeoDeck is backed by a 20-year limited warranty.

## Advantages

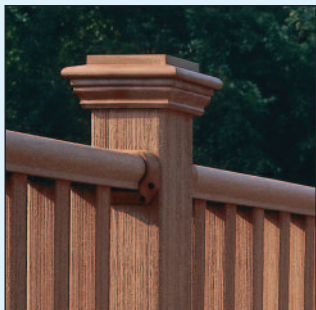
### Beauty that Won't Fade

Available in Cedar, Driftwood, and Mahogany, only GeoDeck is made with Biodac®, a patented ingredient that makes GeoDeck virtually **fade resistant**. GeoDeck maintains its beautiful appearance from season to season, through sun, rain, and snow. So when you choose a color from GeoDeck, you'll know that rich color is going to last.



### Exceptional Strength

GeoDeck's components and engineered profiles make our product up to 50% stronger than other composite decking materials. Unlike treated lumber, GeoDeck will not split, crack, warp, rot or decay and is highly resistant to termites.



### **Low Maintenance**

GeoDeck requires no painting or sealing and it's easy to keep clean. Most dirt and stains can be removed easily with an ordinary household cleaner.

### **Easy to Install**

GeoDeck boards are easy to saw, drill, cut, nail, and fasten with standard woodworking tools. GeoDeck's hollow profile makes it up to 30% lighter than wood or solid composite boards and the popular **Tongue & Groove** board is faster to install than the leading competitors. In addition, our rail systems are pre-mortised for quick and easy installation. All of this means less time installing your deck and more time enjoying it.

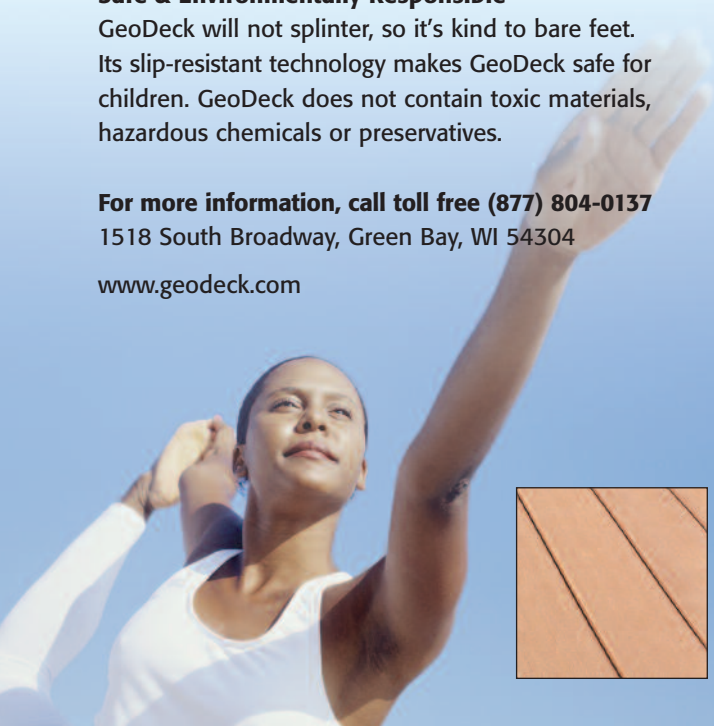
### **Safe & Environmentally Responsible**

GeoDeck will not splinter, so it's kind to bare feet. Its slip-resistant technology makes GeoDeck safe for children. GeoDeck does not contain toxic materials, hazardous chemicals or preservatives.

**For more information, call toll free (877) 804-0137**

1518 South Broadway, Green Bay, WI 54304

[www.geodeck.com](http://www.geodeck.com)



# Product Profile

## Material

GeoDeck is manufactured from recycled plastic, recycled cellulose fiber and minerals. It's a safe, environmentally responsible product that conserves energy and resources.

## Board Profiles

GeoDeck boards are manufactured in three colors, three profiles, and three lengths: Cedar, Driftwood, and Mahogany; Traditional, Tongue & Groove, and Heavy-Duty Commercial; and 12', 16', and 20' lengths, respectively.

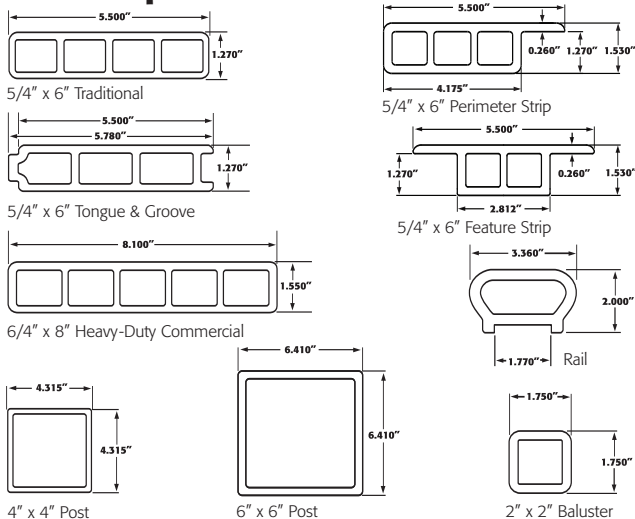
## System Components

The complete GeoDeck system includes deck boards, fascia boards, post covers, railings, balusters, end caps, post caps, post base trim, and hand rail collars – everything needed to create a great-looking deck.

## Warranty

GeoDeck comes with a 20-year limited warranty that provides comprehensive coverage against splintering, splitting, rot, decay, and termite damage.

## Deck Components



## Deck Accessories

